



Green Project S.r.l.  
 Corso Perrone 47r - 16152 GENOVA  
 Tel. +39 010 6048932 - 6001802  
 Fax +39 010 6500189  
 mail: [info@greenproject.it](mailto:info@greenproject.it)  
 web: [www.greenproject.it](http://www.greenproject.it)



**PLATE MARKER DEFINITION QUESTIONNAIRE**

Company:		Site:
Name:		Dept:
Phone:	Fax	Mail:

- Plate temperature at marking stand: min ..... max ..... (°C)  
 Plate length: min ..... max ..... (m)  
 Plate width: min ..... max ..... (mm)  
 Plate thickness: min ..... max ..... (mm)  
 Plate waving: max ..... (mm/m)  
 Plate position alignment (referring to rolling way):  left side  right side  centered  
 Type of plate:  Mother  Daughter single  Daughter slitted  
 Marking technology: **Paint Marking**

**SELECT THE DIRECTION & THE POSITION OF MARKS**

EXAMPLE OF SELECTION

DRAW YOUR REQUEST ON THIS SKETCH

AB123	AB123	AB123
AB123		

DIRECTION OF PLATE →


DIRECTION OF PLATE →

Marking Position:

- (1) upper, lengthwise
- (2) upper crosswise
- (3) bottom, lengthwise

Number of lines Number of characters each line

.....  
 .....  
 .....

Required characters dimension:

Height ..... Width ..... Pitch ..... (mm)

Available time for marking cycle:

..... (s)

Speed of material ("fly marking")

..... (mm/s)

Type of marker :

- Traditional  Robot

Automatic reading system required:

- Yes  No

Other information: (special rules or requirements)

.....  
 .....

Marking technology: **Punch Marking**

**SELECT THE DIRECTION & THE POSITION OF MARKS**

EXAMPLE OF SELECTION

AB123	AB123	AB123
AB123		

DIRECTION OF PLATE →

DRAW YOUR REQUEST ON THIS SKETCH


DIRECTION OF PLATE →

Marking Position:

- (1) upper, lengthwise
- (2) upper crosswise

Number of lines    Number of characters each line

.....                  .....

.....                  .....

Required characters dimension:

Height .....    Width .....    Pitch .....    (mm)

Available time for marking cycle:

..... (s)

Data matrix code for automatic reading:

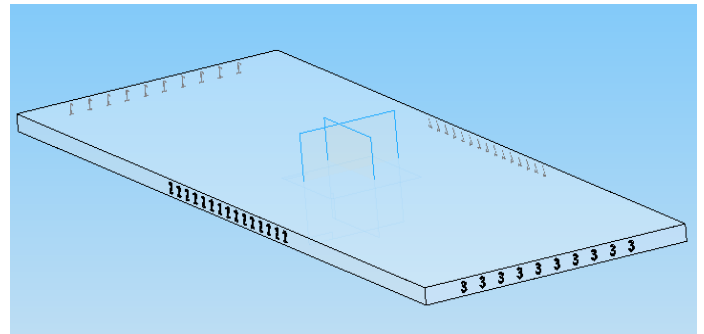
Yes                   No

Marking technology: **Side Edge Marking**

Marking Position:

n. of lines    n. of characters each line

- (1) left side                  .....                  .....
- (2) tail side                  .....                  .....
- (3) head side                  .....                  .....
- (4) right side                  .....                  .....



Required characters dimension:

Height .....    Width .....    Pitch .....    (mm)

Bar Code required

no                           yes (specify length of data) .....

Available time for marking cycle:

..... (s)

Host connection:

Profibus                   Ethernet                   Other (specify) .....

HMI requested :

No                           Yes (detail) .....

Available feeders:

Compr. Air ..... (bar)    Electric Supply: ..... (Volt), ..... (Hz)

Other information: (special rules or requirements)

.....

.....